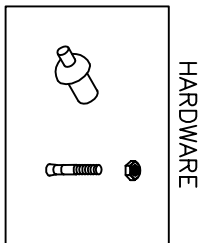
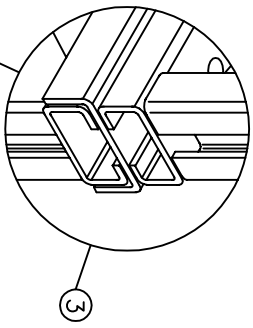
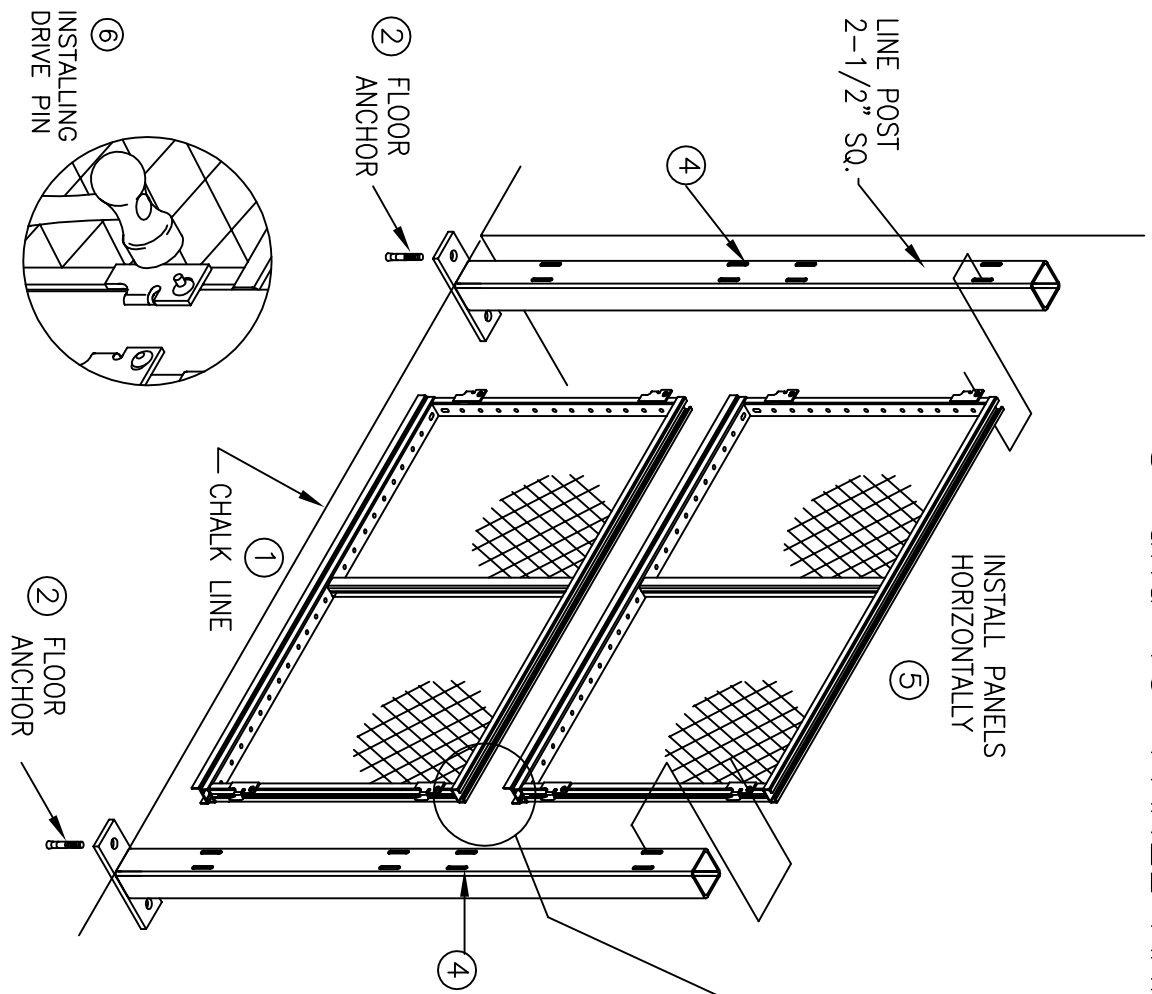


# STANDARD PARTITION ASSEMBLY

8' and 10' PANEL ARRANGEMENTS

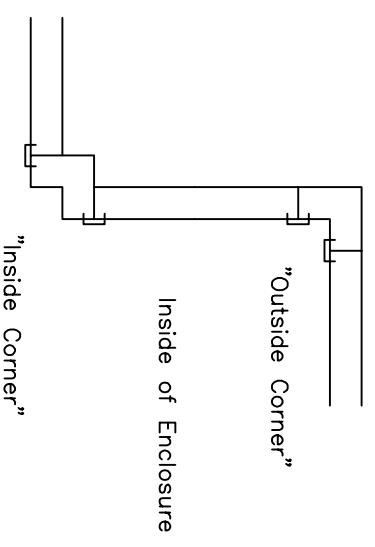
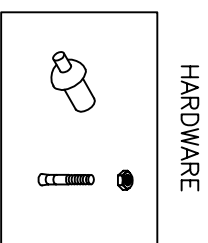
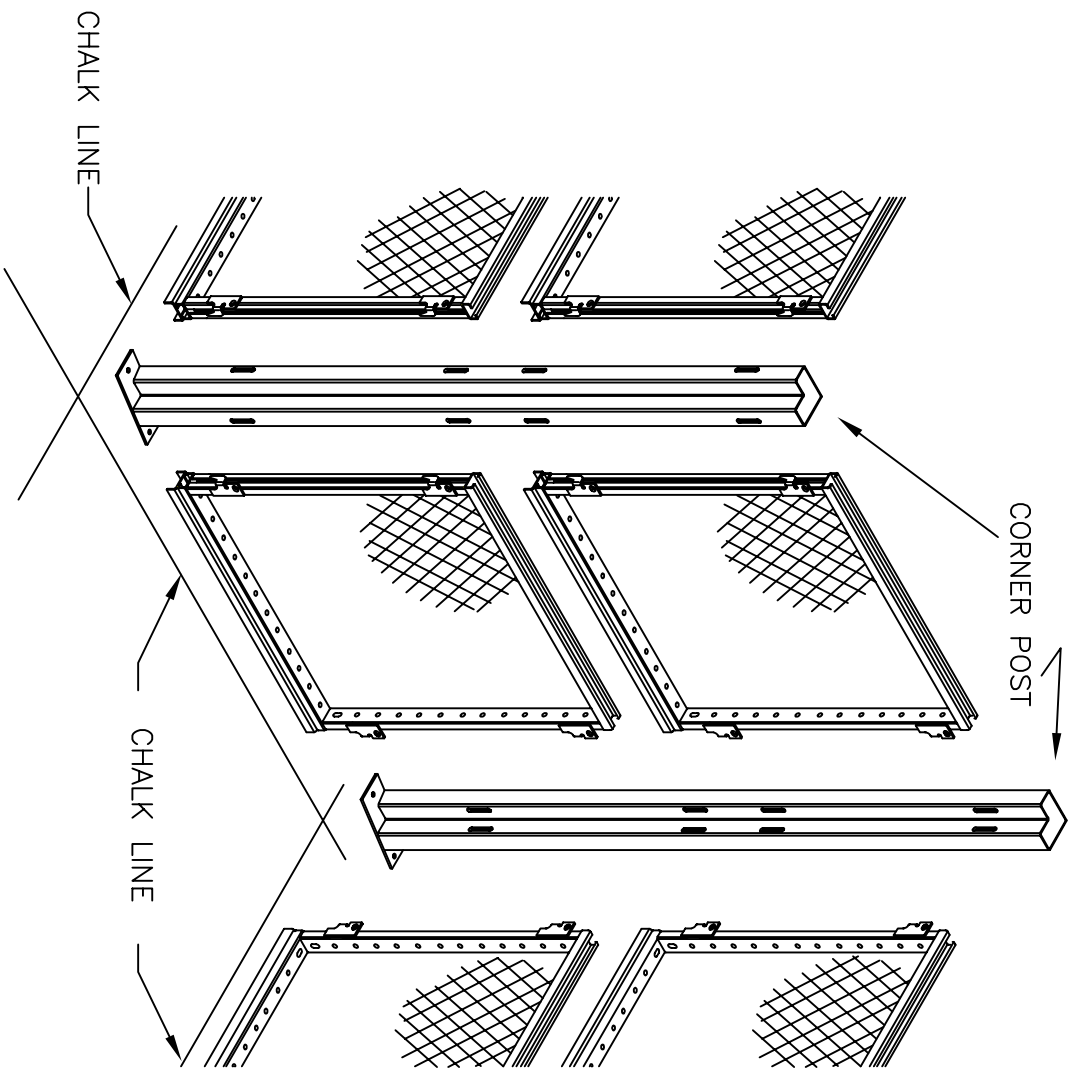


## EZ-WIRE INSTALLATION INSTRUCTIONS

1. EZ-Wire installation is best accomplished with two or three persons. Consult the sketch which is included in the hardware box. (See "Tips For Foster Installations" at the end of these instructions.)
2. Per sketch, use a chalkline to mark the partition runs on the floor. Dimensions to be used are outside measurements (1).
- 3a. Starting with a line post: lag the post to the floor using two Floor Anchors (2). This post is normally a standard 2-1/2" square tube. Make sure the slots in the tube face inward.
- 3b. Panels are installed horizontally (5). Install the hooks of the first panel in the next 2-1/2" line post at the lowest level. Engage the panel's opposing hooks in the Line Post previously installed. Install one drive pin per hook for maximum security (6). One pair of pins per topmost panel is the minimum for adequate security.
4. Lag the second 2-1/2" square post to the floor using two Floor Anchors (2).
5. Install the top panel by placing the copping channel side over the lowest panel (3) and engaging the four hooks in the Line Posts. Install four Drive Pins if desired. Alternate: use 5/16 x 1" self threading Screws in place of the 1/4" Drive Pins. (Not included)

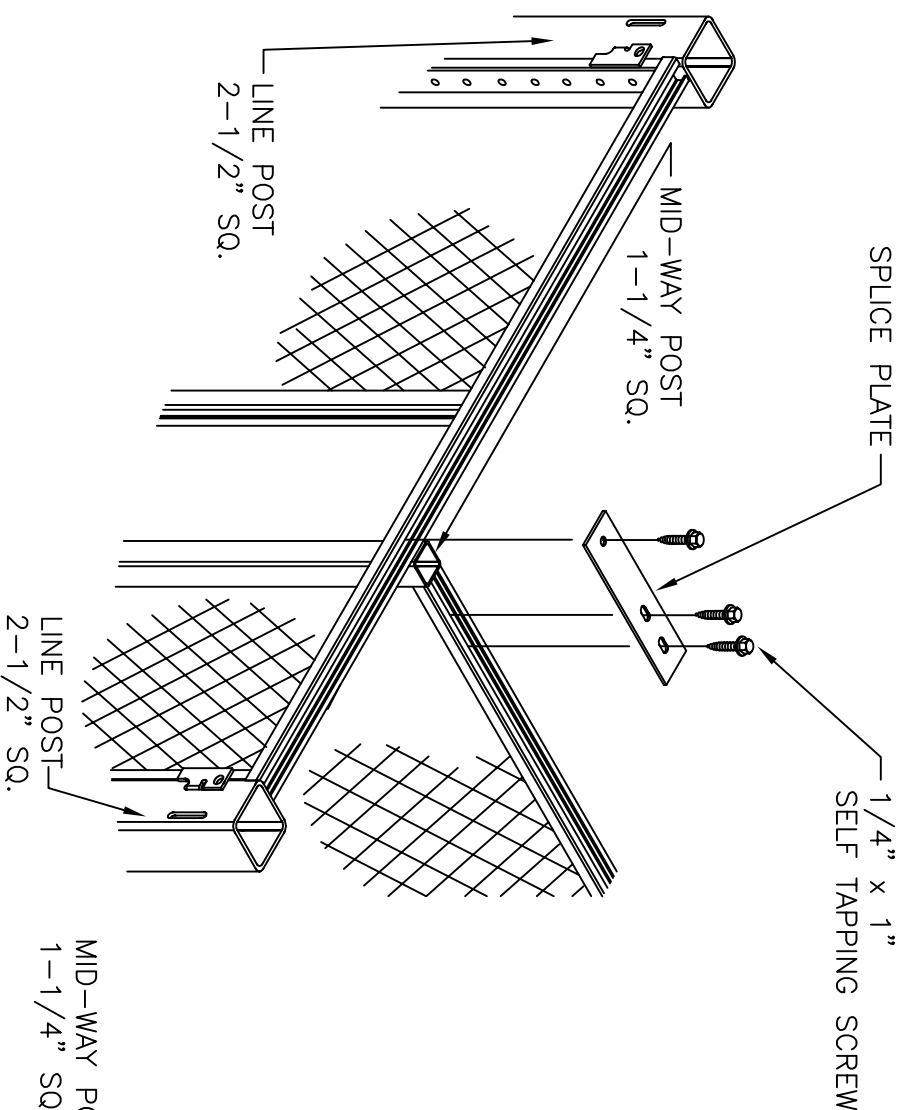
# STANDARD PARTITION ASSEMBLY

## 8' AND 10' PANEL CORNER TREATMENTS

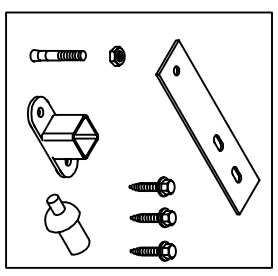


# STANDARD PARTITION ASSEMBLY

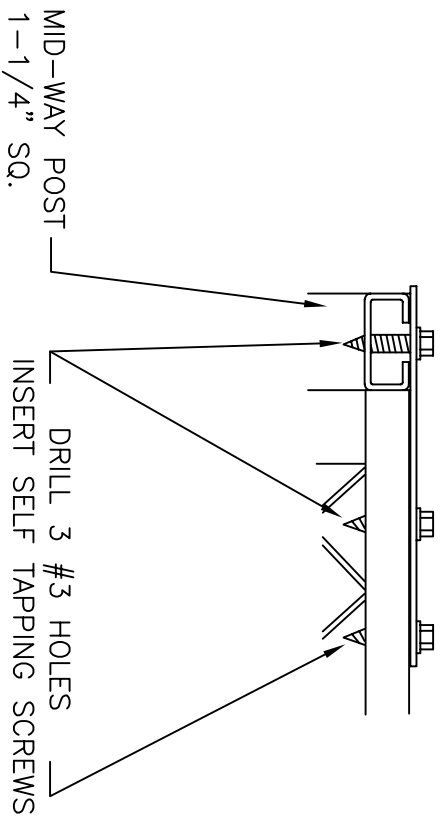
## EZ-WIRE MID PANEL SPlice PLATE



### HARDWARE

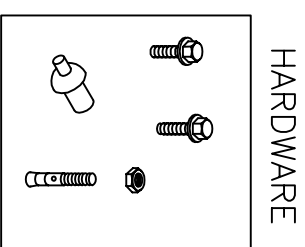
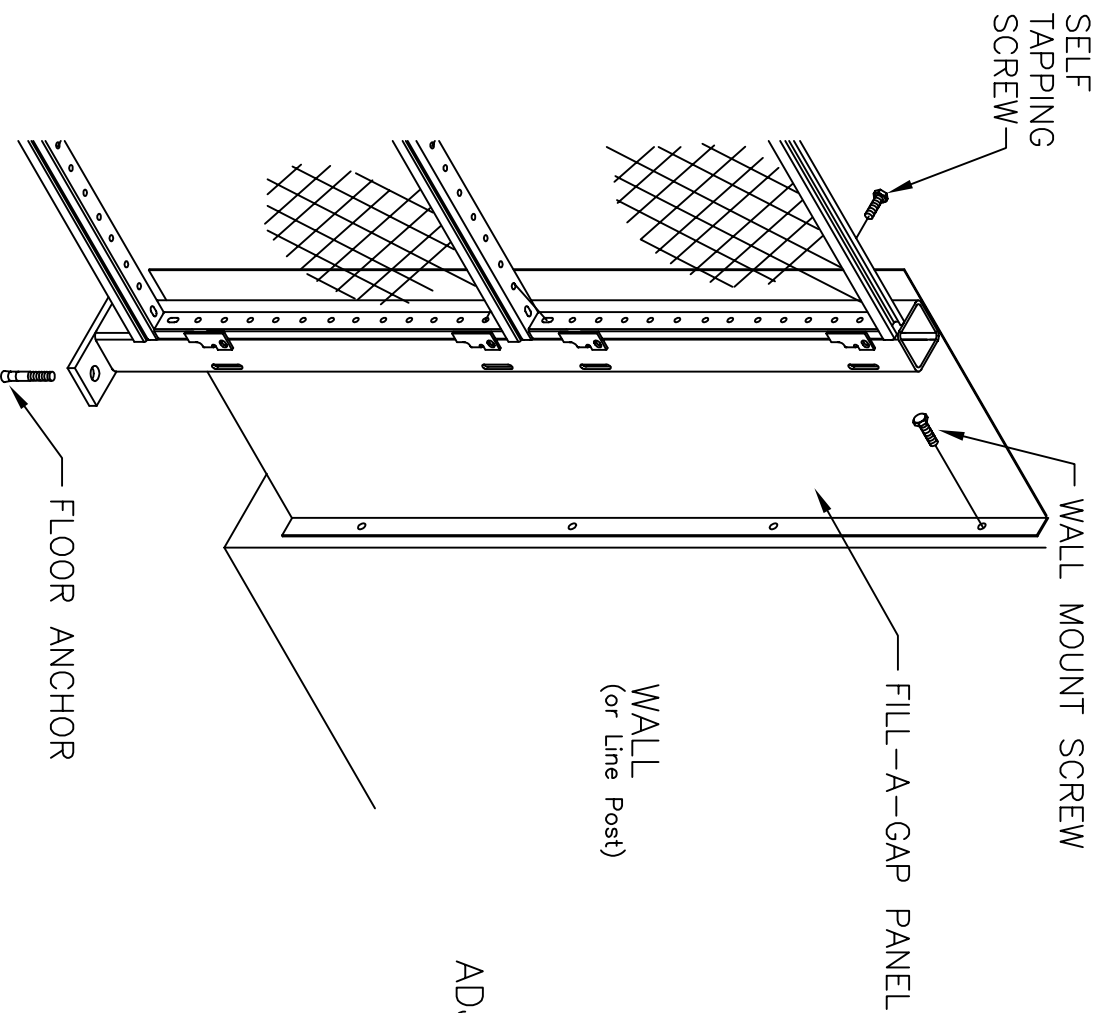


### SPlice PLATE ASSEMBLY



# STANDARD PARTITION ASSEMBLY

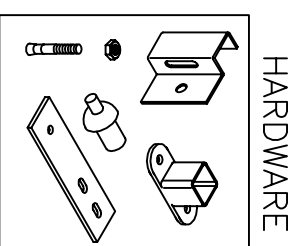
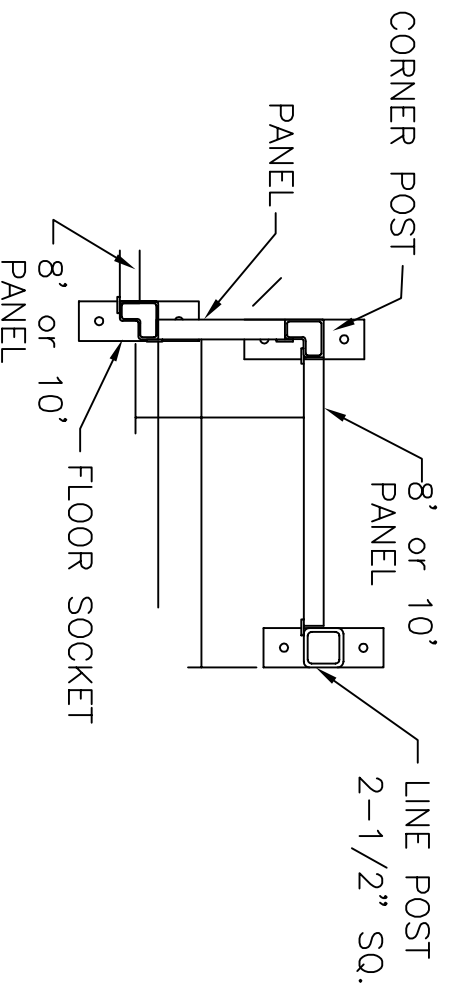
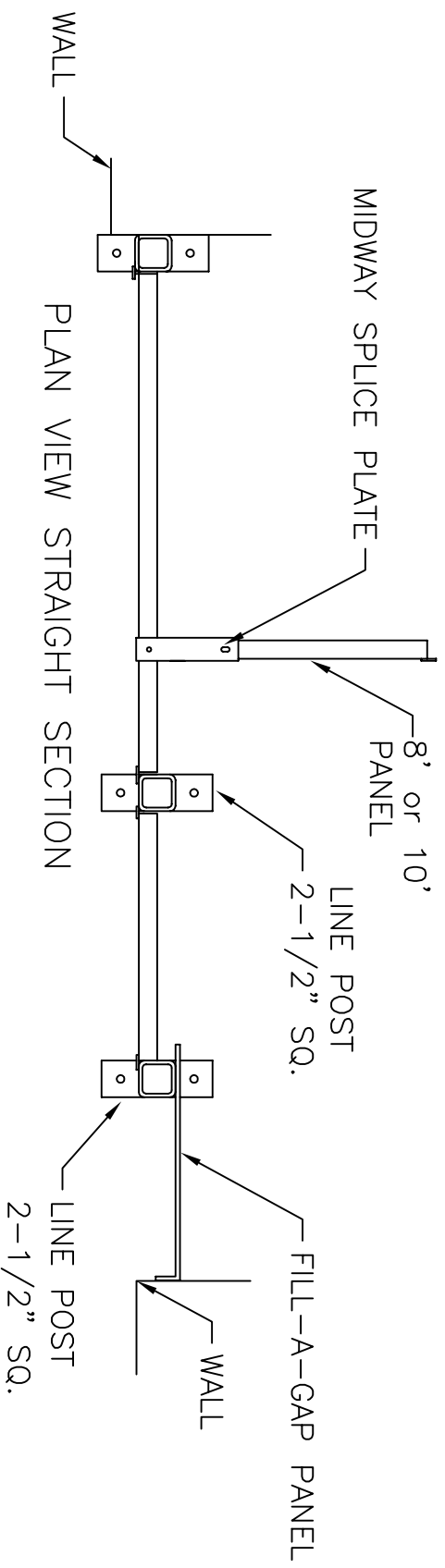
## EZ-WIRE FILL-A-GAP PANEL



ADJUST FROM 1" TO 12"

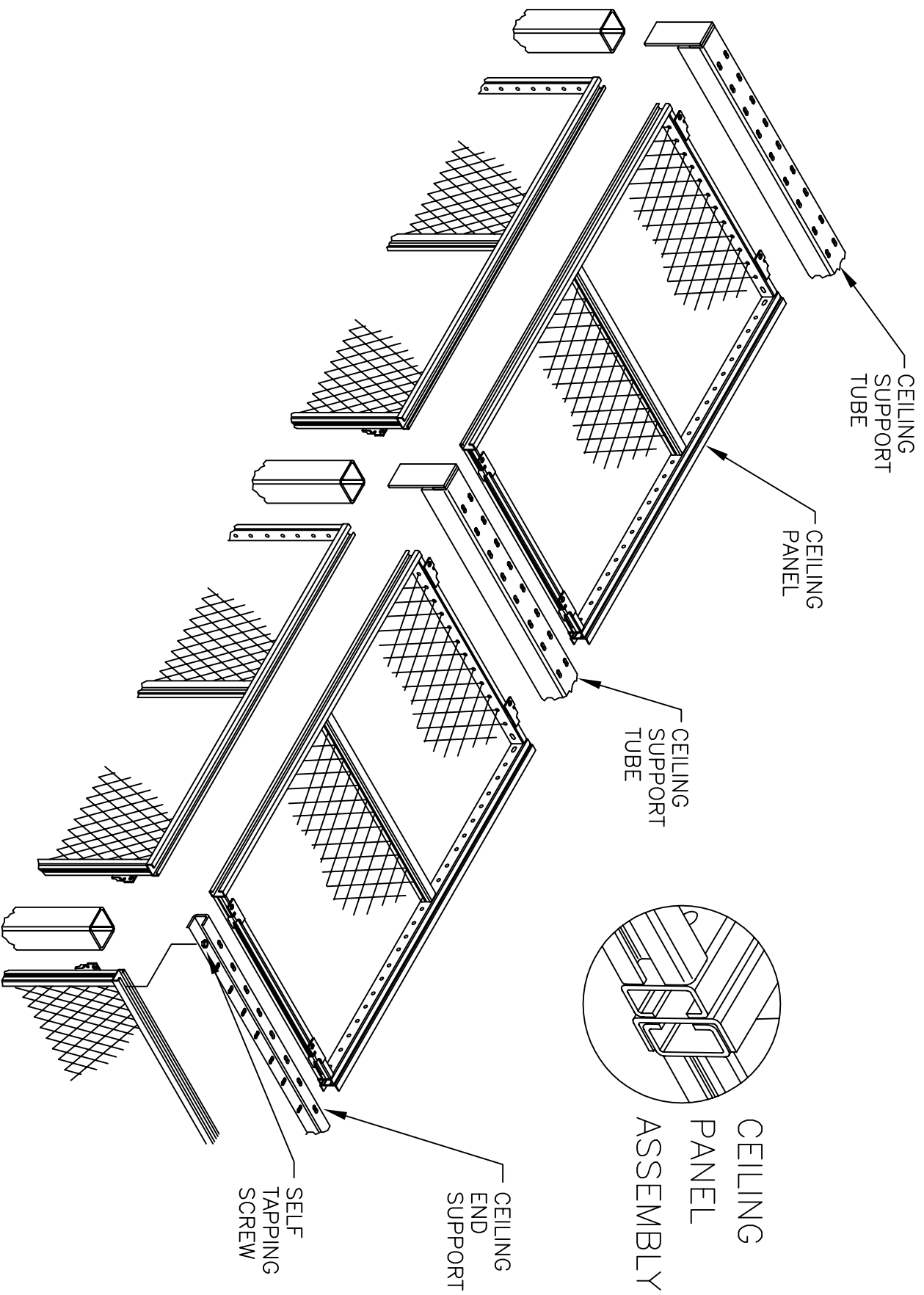
# STANDARD PARTITION ASSEMBLY

## 8' AND 10' PANEL CONNECTIONS



# CEILING SUPPORT

## Section 1



SLIDING DOORS

1. Door opening width: The distance between 2 1/2" square line posts is determined using (A) Transom overhead (if present) (B) Measuring width of the door MINUS 2 1/2".
2. Install lock in door first. (Page 10)
3. Attach two four-wheel trolleys per door in the 1/2" diameter holes provided. (Page 10)
4. Using two 1/4" x 1" self threading hex screws, attach the Bottom Slam. Using two 1/4" x 1" tamper resistant screws, attach Latch Receiver to the post which is on the locking side of the door opening. (Page 10)
5. Fasten the Track Bracket Assembly to the post on either side of the door opening using 3/8" x 1" hex head self threading screws. A third assembly is attached using a Mid-Panel Kit. (Page 11))
6. Install the Door Track in the Track Bracket Assemblies. Secure the track by tightening the set screws provided in the two track brackets. (Page 11)
7. Slide the door's trolleys into the overhead track.
8. Install a Track Bumper as a keeper for the door trolleys. (See Detail 11.)
9. Attach the Bottom Guide as shown in detail 12. (Page 11)

# DOOR ARRANGEMENTS

## SINGLE SLIDE DOOR

FOR DETAILS  
SEE PAGE 11

FOR DETAILS  
SEE PAGE 10

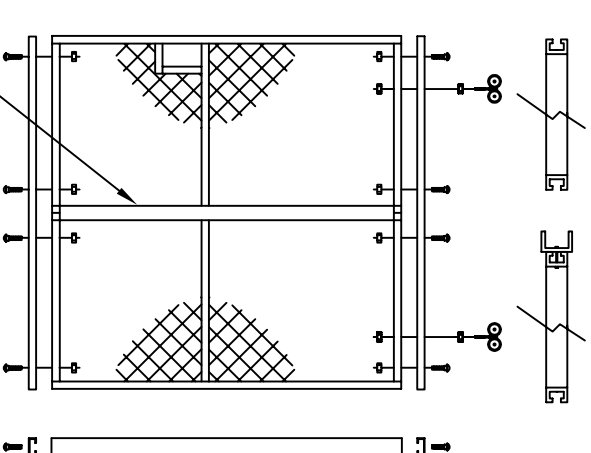
FOR  
DETAILS  
SEE  
PAGE 11

FOR DETAILS  
SEE PAGE 10

VIEWES FROM OUTSIDE ENCLOSURES

OPENING MUST BE  
WIDTH OF DOOR  
MINUS 2 1/2"

SLIDE DOOR ASSEMBLY  
FOR 6', 8', and 10' DOORS

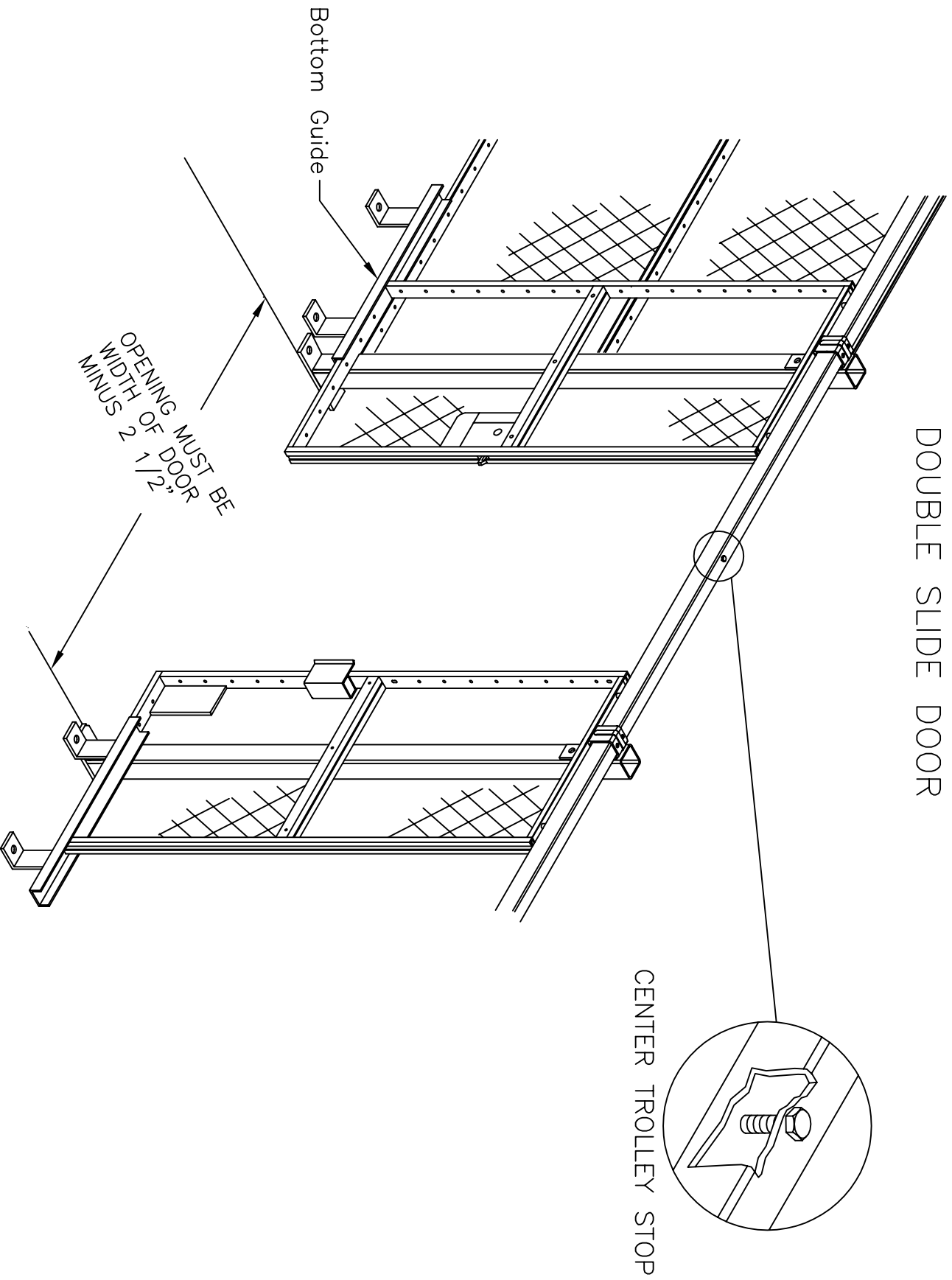


1-1/2" x 11/16" CHANNEL  
RIVETED ON ONE SIDE AT FACTORY



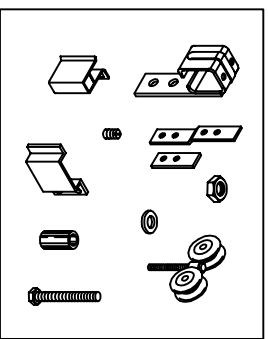
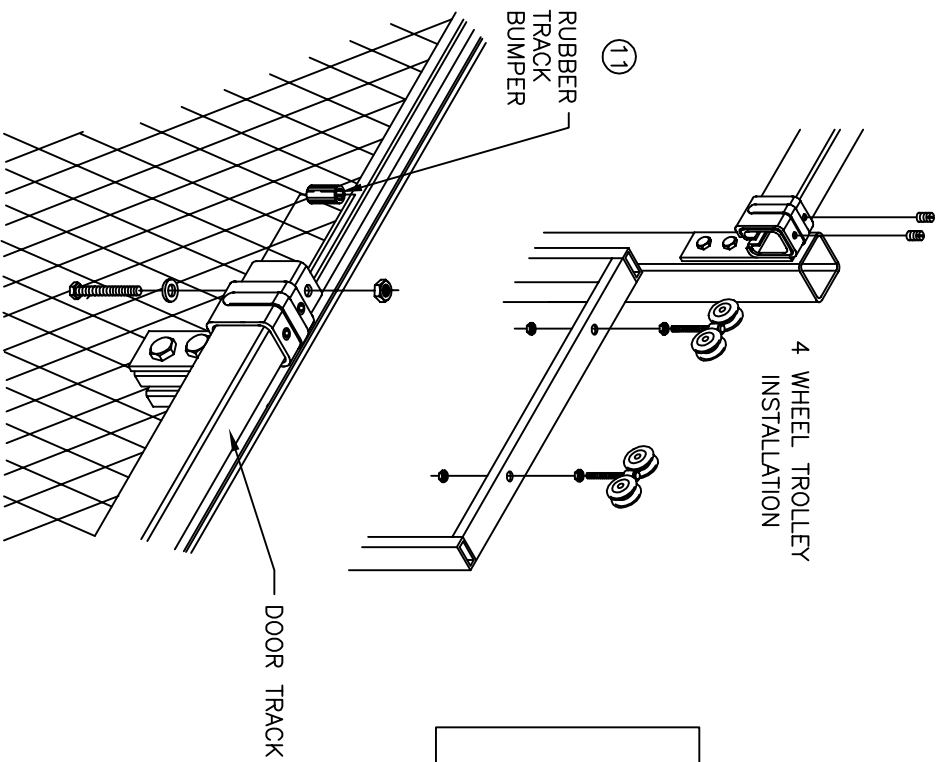
# DOUBLE SLIDE DOOR DOOR ARRANGEMENTS

## DOUBLE SLIDE DOOR



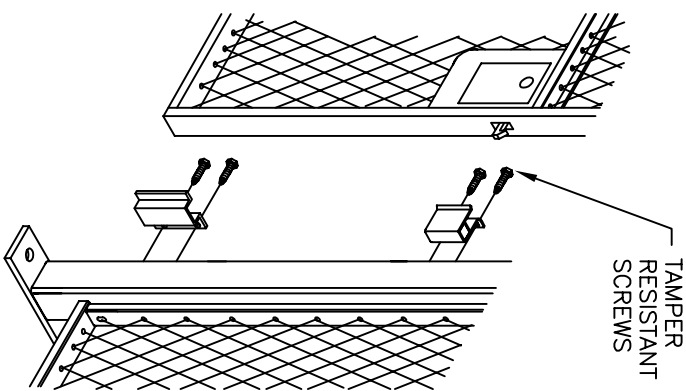
# DOOR ARRANGEMENTS

## DOOR HARDWARE ATTACHMENTS



TRACK BRACKET and  
TRACK BUMPER ASSEMBLY

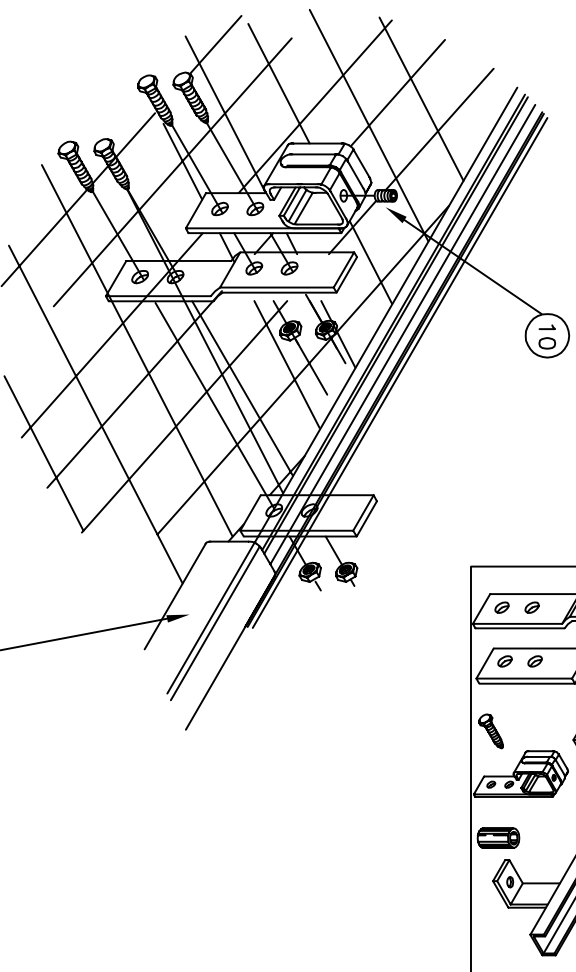
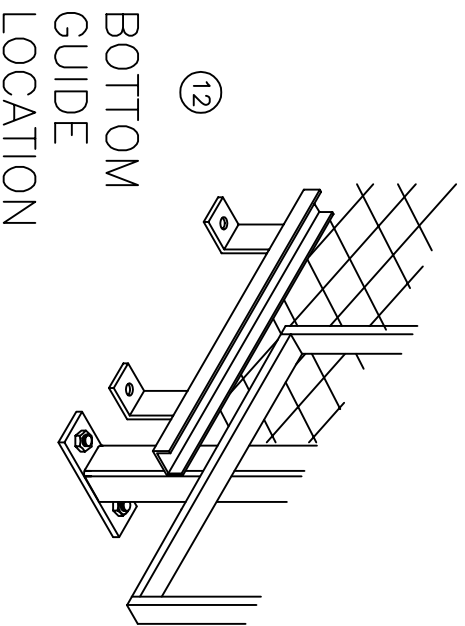
LATCH RECEIVER and  
BOTTOM SLAM INSTALLATION  
VIEW FROM OUTSIDE ENCLOSURE



# DOOR ARRANGEMENTS

## TRACK BRACKET ASSEMBLIES

VIEWS FROM OUTSIDE ENCLOSURES



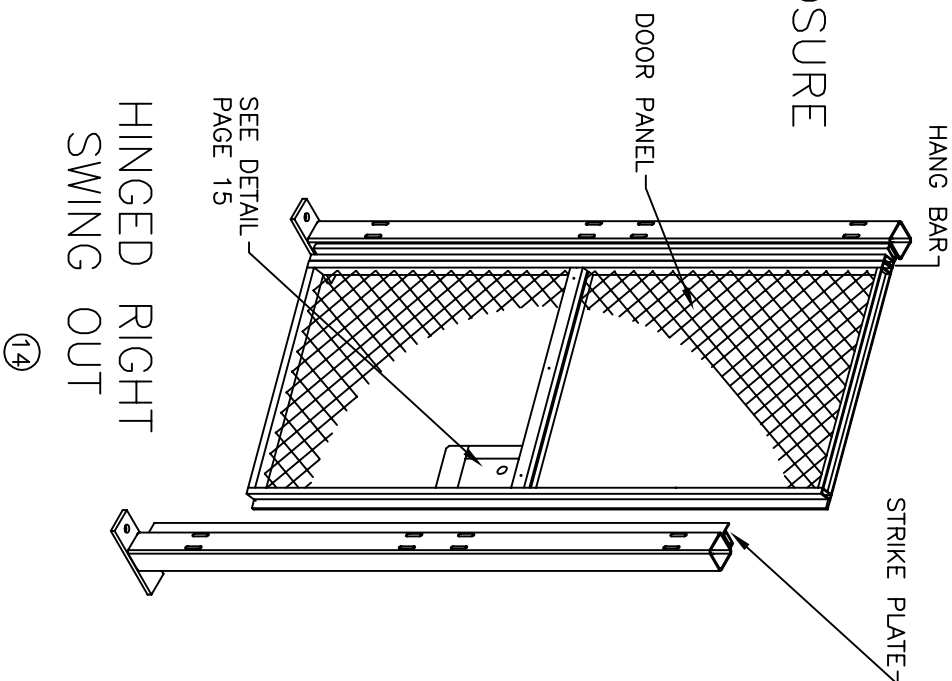
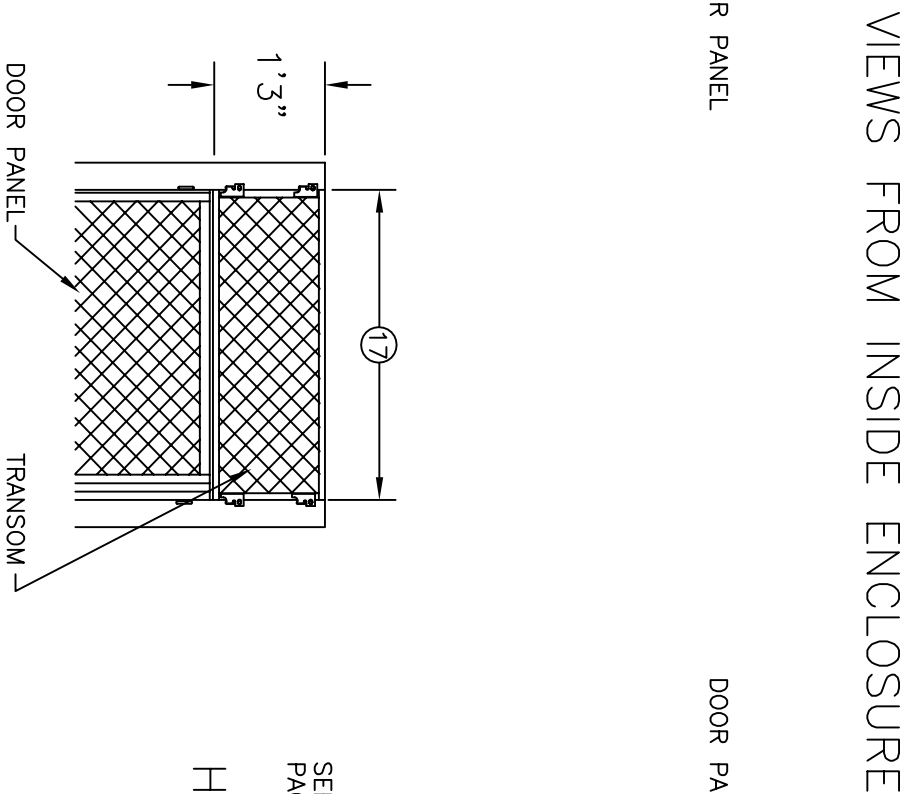
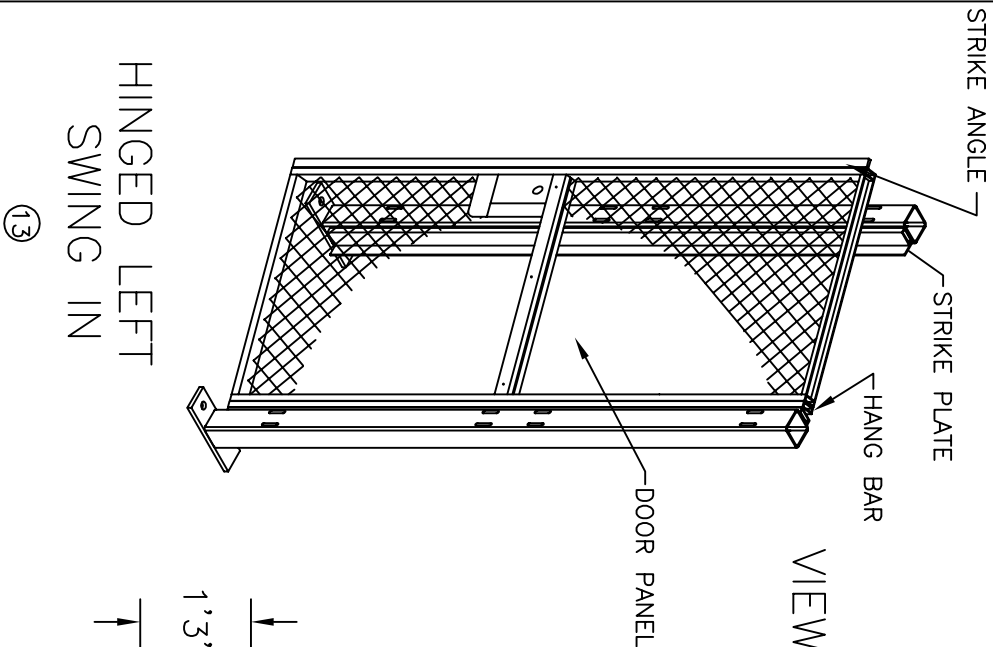
MID PANEL  
ASSEMBLY KIT  
(Not required on all assemblies)

SWING DOORS

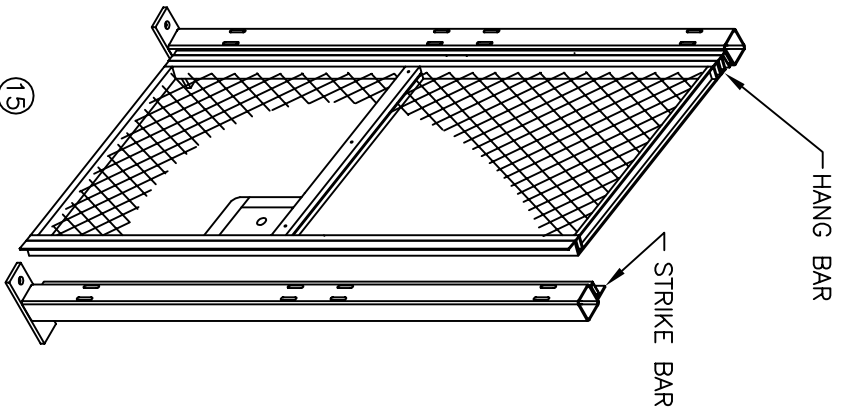
1. Doors can be installed left hand, right hand, swing in or swing out. (See Details 13, 14, 15, and 16.)
2. The opening between line posts for a hinged door installation is exactly equal to the transom width minus 2-1/2". (See Detail 17.)
3. Install the Transom and fasten the line posts to the floor after ensuring the opening width at the floor equals the Transom width.
4. Install the cylinder lock or padlock attachment with the door in a horizontal position. (See Page 15.)

# DOOR ARRANGEMENTS

## SWING DOORS

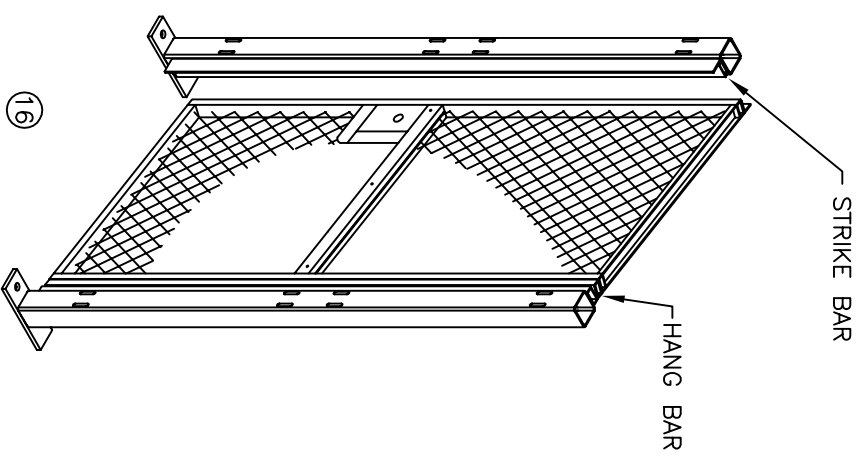


SWING DOORS



HINGED RIGHT  
SWING IN

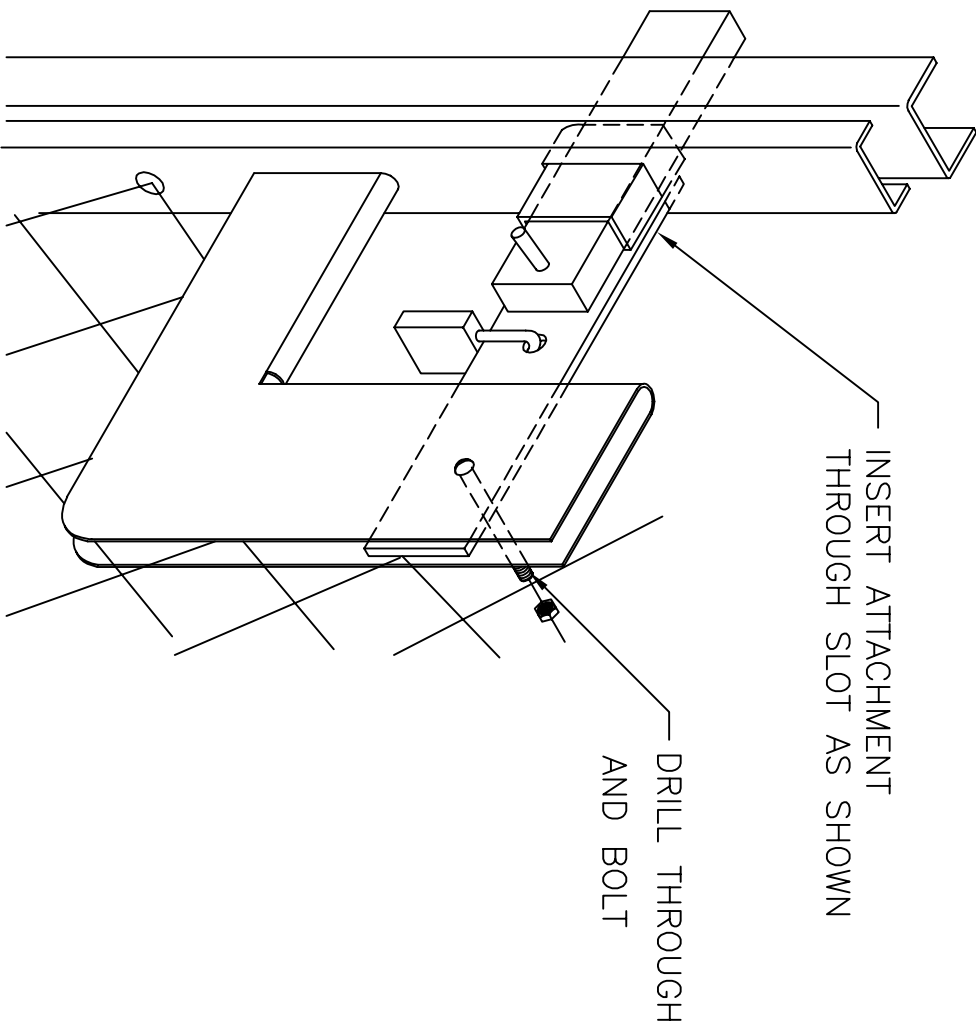
VIEWS FROM  
INSIDE ENCLOSURE



HINGED LEFT  
SWING OUT

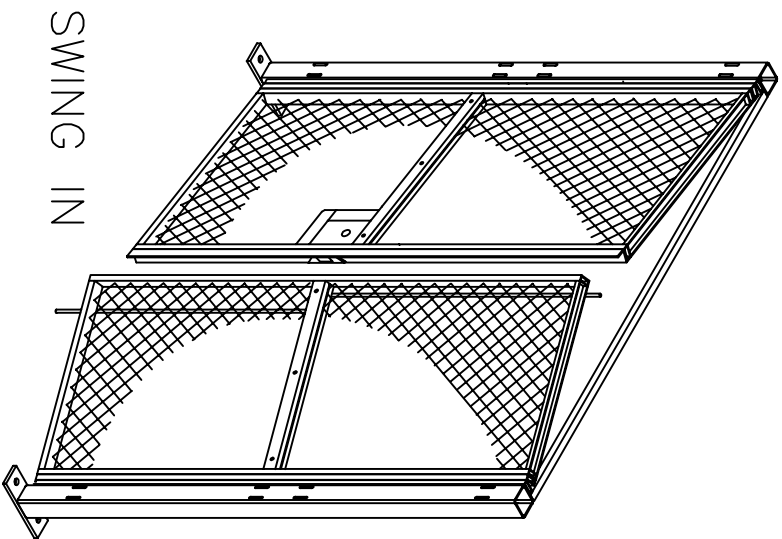
# DOOR ARRANGEMENTS

## HINGED DOOR PADLOCK ATTACHMENTS MODEL #1058H

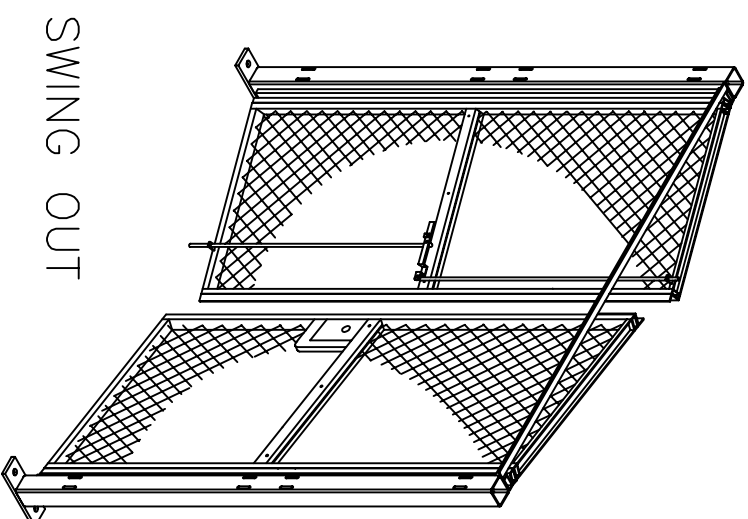


# DOOR ARRANGEMENTS

## DOUBLE SWING DOORS



SWING IN



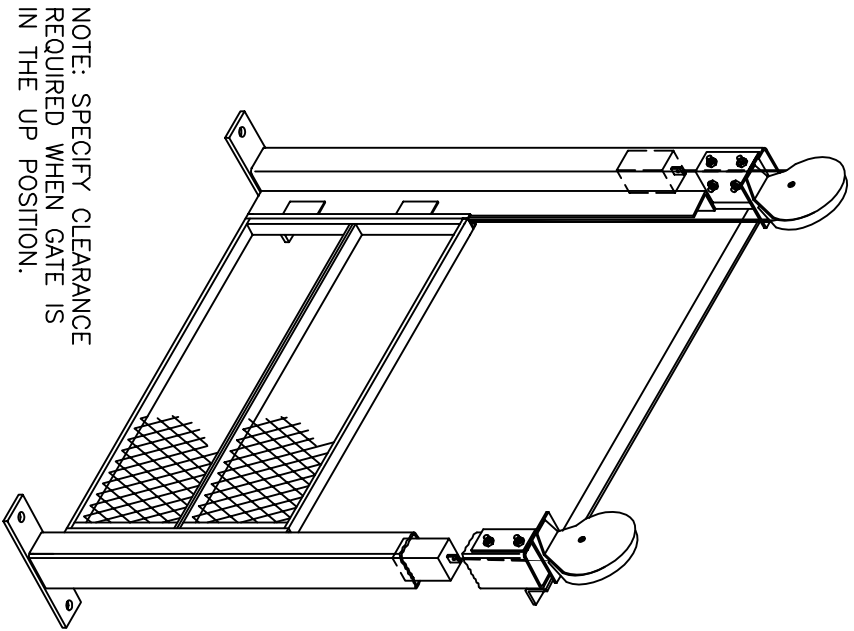
SWING OUT

VIEWS FROM INSIDE ENCLOSURES

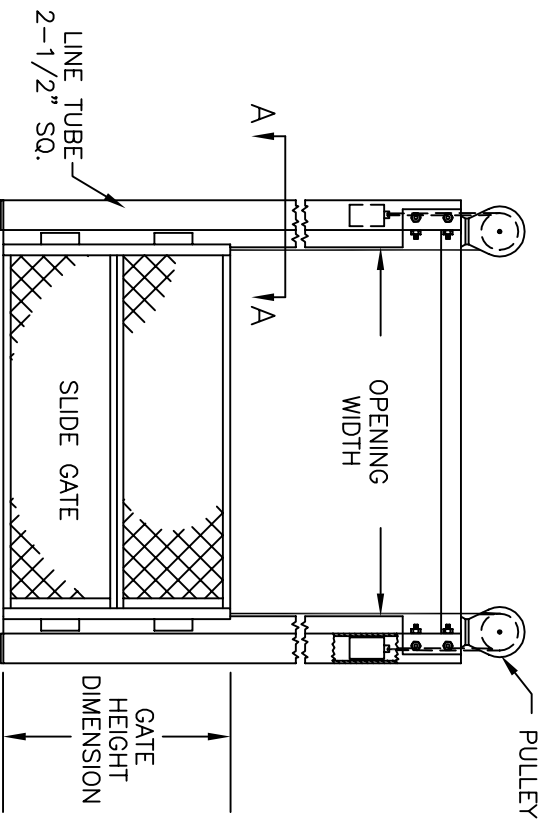
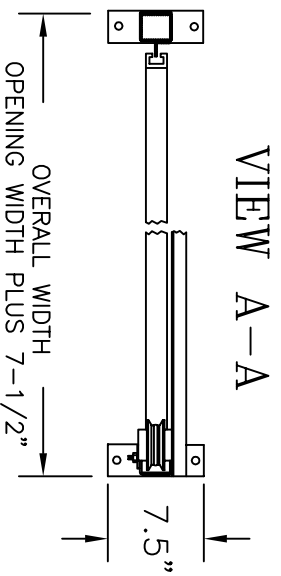


# DOOR ARRANGEMENTS

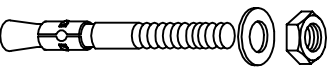
## COUNTERWEIGHTED DOOR



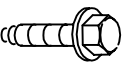
NOTE: SPECIFY CLEARANCE  
REQUIRED WHEN GATE IS  
IN THE UP POSITION.



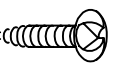
HARDWARE ITEMS



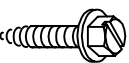
FLOOR ANCHOR  
1/2" x 3 3/4"  
MODEL #5814



MODEL #5817



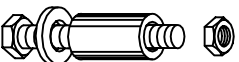
MODEL #5811



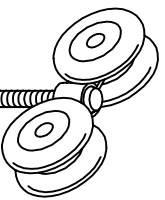
MODEL #5812



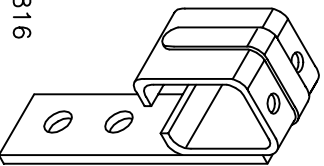
DRIVE PIN  
MODEL #5815



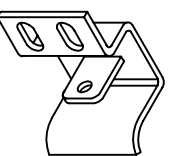
TRACK BUMPER  
MODEL #1068



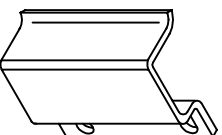
4-WHEEL  
TROLLEY  
MODEL #5816



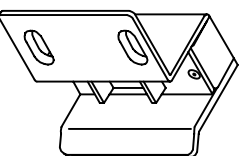
TRACK  
HANGER  
MODEL #5800



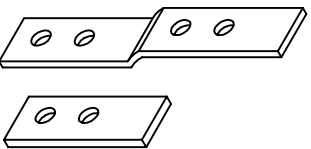
SLIDE DOOR  
PADLOCK  
RECEIVER  
MODEL #1058



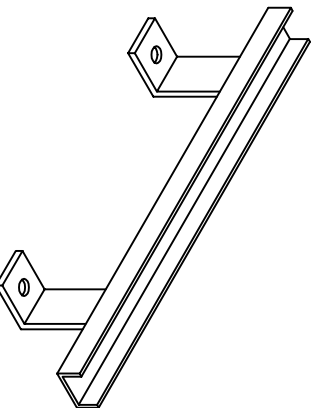
BOTTOM  
SLAM  
MODEL #1057



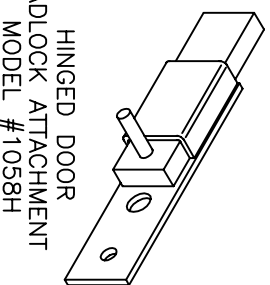
LATCH  
RECEIVER  
MODEL #1056



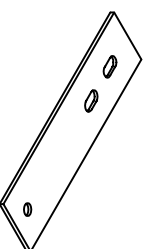
PANEL KIT PLATE  
MODEL #5802



BOTTOM GUIDE  
MODEL #5803



HINGED DOOR  
PADLOCK ATTACHMENT  
MODEL #1058H



3-WAY SPLICE PLATE  
MODEL #5801